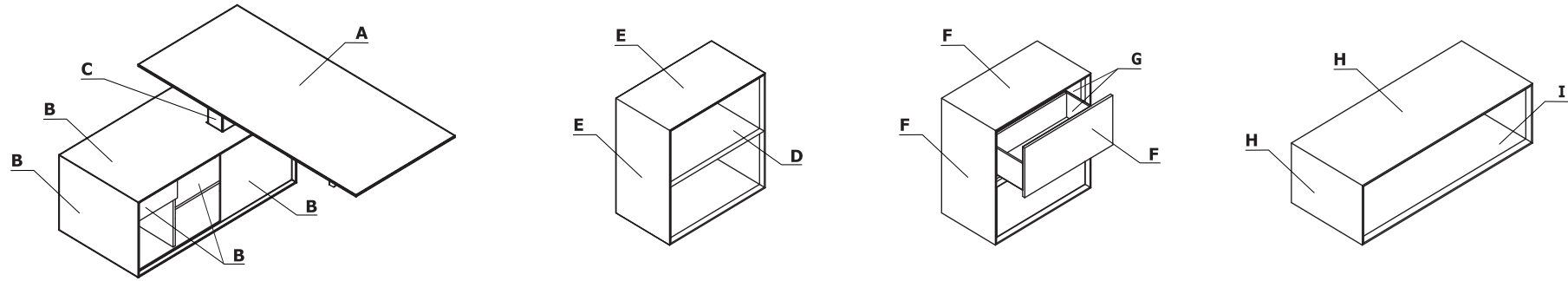


.mdd

Executive

v5 / 01.06.2023

Color combination - Gravity

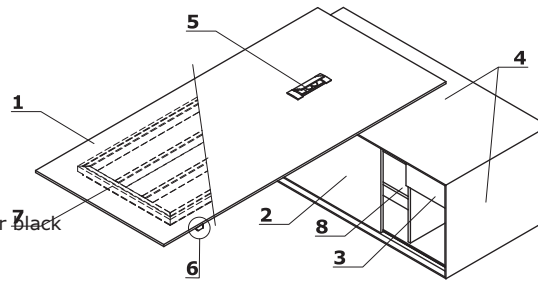


Material	Color	Desk, multimedia stand, conference table			Shelving unit		Storage unit		Table						
		A - Top	B - Body	C - Frame	D - Body inside	E - Body outside	F - Front	G - Body outside, body inside	I - Body outside	J - Body inside					
Veneer	156 - elm	✓			✓		✓		✓						
	157 - american walnut	✓			✓		✓		✓						
MFC	158 - Graphite RAL 9004	✓*	✓	M154 - anthracite semi-matt RAL 7043	✓	✓	✓	✓	✓	✓					
	159 - White RAL 9003		✓	M015 - white semi-matt RAL 9010		✓		✓		✓					

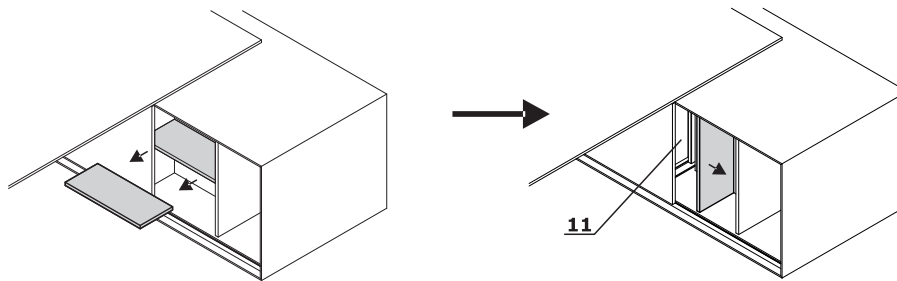
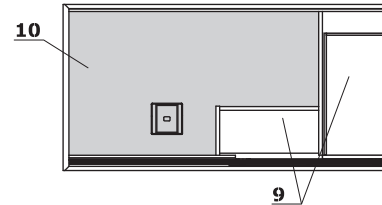
* ATTENTION! 158 - graphite - worktop surface covered with FENIX laminate, 159 - white - MDF varnished, 156 - elm and 157 - american walnut - veneer.

Desks

- 1 Worktop** - 78mm thick, veneer/HPL, max. load 70 kg
- 2 Sliding front** - MDF, varnished 6/8" (18 mm), soft-closing system
- 3 Drawer** - 100% extraction, self-closing, dimensions: 11 3/8" (290 mm) x 19 5/8" (500 mm) x 11" (280 mm)
- 4 Body** - MDF lacquered 1 1/8" (28 mm)
- 5 OPTIONS WITH EXTRA CHARGE:**
 - **Mediabox M06** - 2x120V+USB charger, color: white or black
 - **Mediabox M06H** - 2x120V+HDMI+USB, colour: white or black
- 6 Control panel**
- 7 Electric height adjustable frame** - powder coated steel, column dimension 5 7/8" (150 mm) x 5 7/8" (150 mm), frame profile 2 3/8" (60 mm) x 1 1/8" (30 mm)
- 8 Shelf** - MFC 18 mm, dimensions: 457x182x259mm

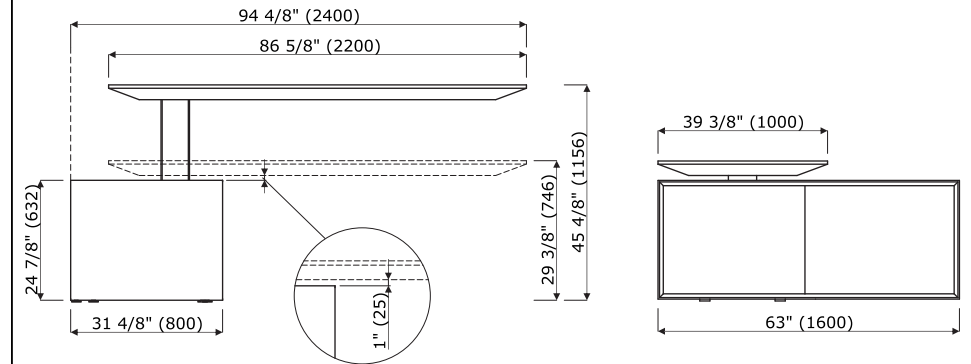


- Inside the cabinet:**
- 9 Usable space**
 - 10 Structure space non** - usable - supporting structure + concrete blocks
 - 11 Lifting mechanism access**

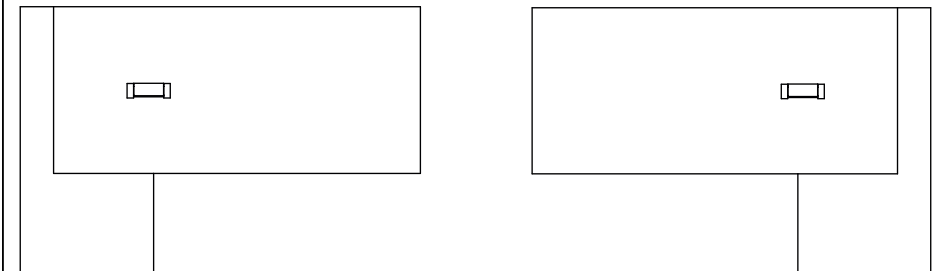


ATTENTION: Desk, table and multimedia stand require a hard and unbendable surface with acceptable point pressure of at least 300 kg/point in order to preserve stability.

Dimensions (inch/mm)

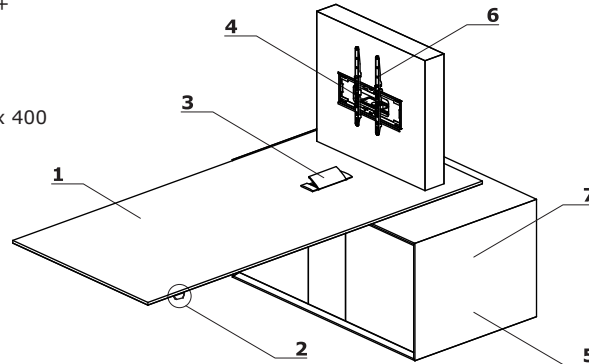


Mediabox location



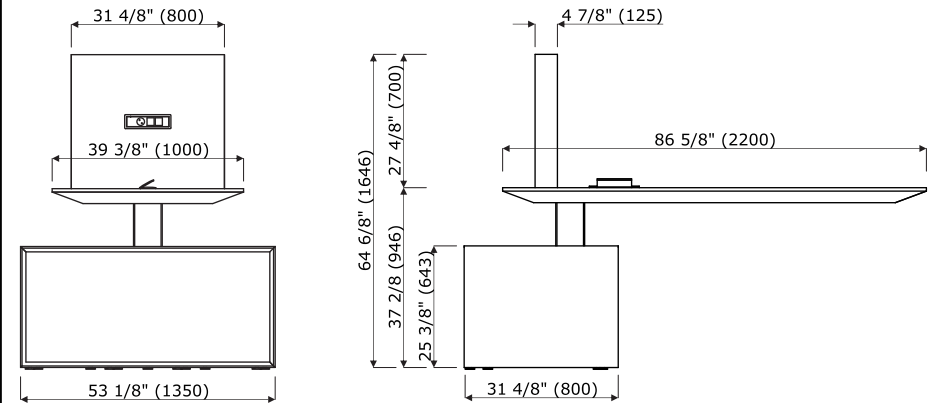
Multimedia stand with electric height adjustment

- 1 **Worktop** - 78mm thick, veneer/HPL, max. load 70 kg
- 2 **Control panel**
- 3 **MEDIABOX** - 2x 230V + HDMI + USB, color: white or black
- 4 **MEDIABOX** - 1x 230V + HDMI + USB, colour: white or black
- 5 **Body** - MDF lacquered 1 1/8" (28 mm)
- 6 **Handles** - VESA fixing, spacing 15 6/8" x 15 6/8" (400 x 400 mm), max weight of TV 40 kg, tilt adjustment - 10 degrees
- 7 **Structure space non** - usable - supporting structure + concrete blocks



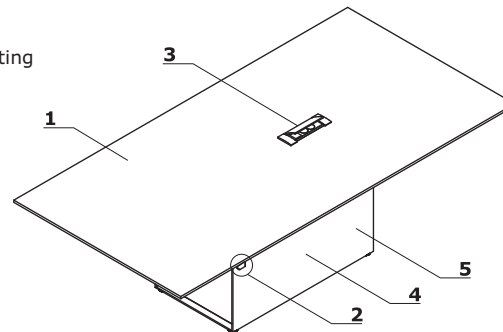
ATTENTION: Desk, table and multimedia stand require a hard and unbendable surface with acceptable point pressure of at least 300 kg/point in order to preserve stability.

Dimensions (inch/mm)



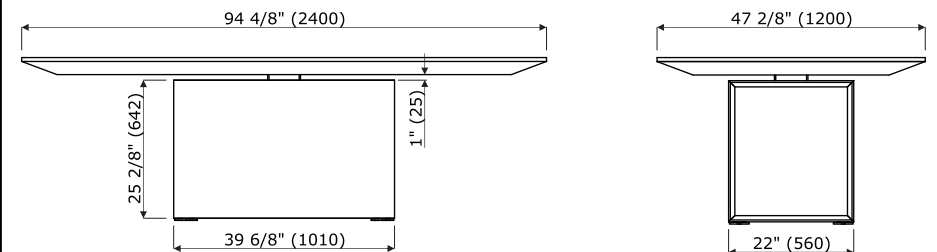
Conference tables with electric height adjustment

- 1 **Worktop** - 78mm thick, veneer/HPL, max. load 70 kg
- 2 **Control panel**
- 3 **OPTIONS WITH EXTRA CHARGE:**
 - **Mediabox M06** - 2x120V+USB charger, color: white or black
 - **Mediabox M06H** - 2x120V+HDMI+USB, colour: white or black
- 4 **Body** - MDF lacquered 1 1/8" (28 mm)
- 5 **Structure space non** - usable - supporting structure + concrete blocks



ATTENTION: Desk, table and multimedia stand require a hard and unbendable surface with acceptable point pressure of at least 300 kg/point in order to preserve stability.

Dimensions (inch/mm)



Control panel

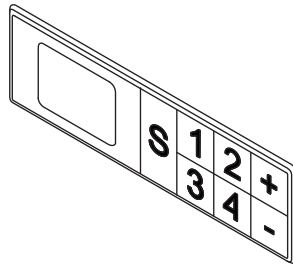
1 Control panel

A - up and down keypad with memory; the ability to change the sensitivity of the anti-collision system within 3 levels: Low, Medium, High

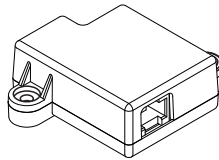
B - OPTION WITH EXTRA CHARGE - bluetooth module:

- compatible with panel A
- the ability to change the sensitivity of the anti - collision system within 3 levels: Low, Medium, High
- control via .mdd Desk BT application (downloadable from Google Play or App Store). The app has a time interval function that informs the user about the need of changing body position (from sitting to standing or standing to sitting)

A



B

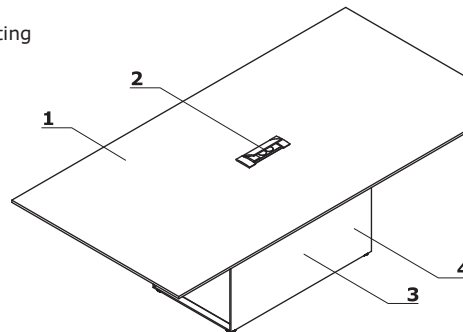


Frame technical specification

- **Height adjustment** - 1 5/8" (40 mm) /sec
- **Super Soft Start - Stop**
- **Drive** - 2 synchronised motors with microprocessor, work control sensor
- **ISP** - Intelligent System Protection
- **Standards** - EN 527-2
- **EU Directives 206/95EC, UI508 1999, UL 1004 R7 06, WE DC 2004/108WE**
- **Power supply** - 110V, 300W, power consumption on Standby - 0.3W

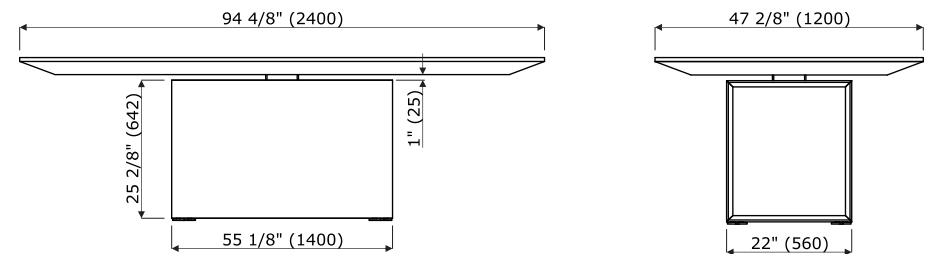
Conference table

- 1 Worktop** - 78mm thick, veneer/HPL, max. load 70 kg
- 2 OPTIONS WITH EXTRA CHARGE:**
 - **Mediabox M06** - 2x120V+USB charger, color: white or black
 - **Mediabox M06H** - 2x120V+HDMI+USB, colour: white or black
- 3 Body** - MDF lacquered 1 1/8" (28 mm)
- 4 Structure space non** - usable - supporting structure + concrete blocks



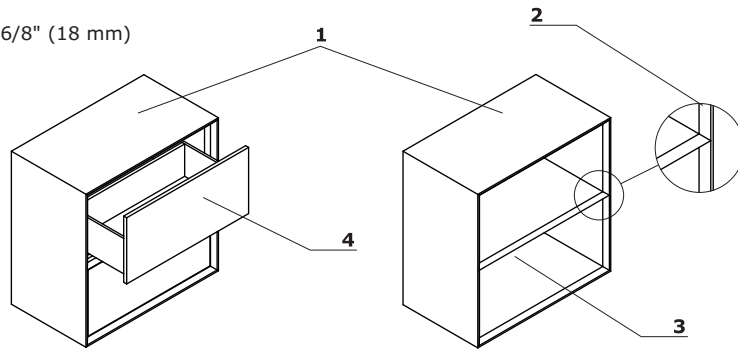
ATTENTION: Desk, table and multimedia stand require a hard and unbendable surface with acceptable point pressure of at least 300 kg/point in order to preserve stability.

Dimensions (inch/mm)

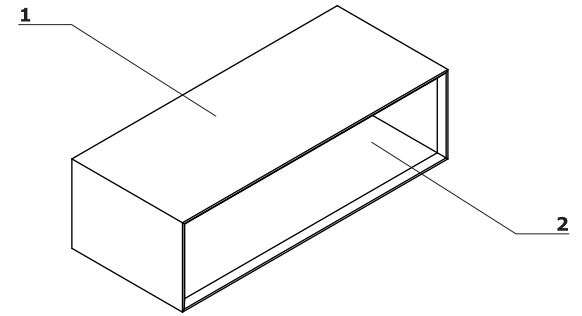


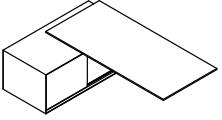
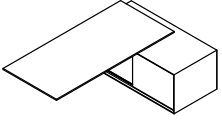
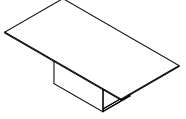
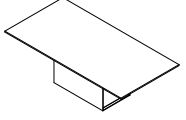
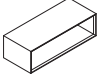
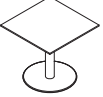
Cabinet and regal

- 1 Finish** - MDF, varnished 1 4/8" (38 mm)
- 2 Milled Surface**
- 3 Inside the cabinet** - dimensions : 29 1/8" (740 mm) x 13 6/8" (350 mm) x 15" (380 mm)
- 4 Drawer:**
 - dimensions: 27" (686 mm) x 7 2/8" (185 mm) x 13 6/8" (350 mm)
 - front - MDF, varnished/ veneer 1 4/8" (38 mm)
 - interior - MFC 6/8" (18 mm)

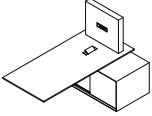
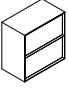
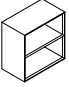
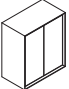

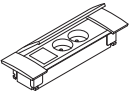
**Coffee table**

- 1 Finish** - MDF, varnished 1 4/8" (38 mm)
- 2 Inside** - dimensions of cabinet interior: 45" (1142 mm) x 11 4/8" (292 mm) x 18 2/8" (462 mm)



Deks with electric height adjustment and managerial storage							
	Symbol	Price USD	Dimensions			kg m3 pcs	Comments
			Width	Depth	Height		
	GAV1L		2400 94 4/8"	1600 62 8/8"	1160 750 45 5/8" 29 4/8"	904 kg 2.306 m3 6 pcs	managerial storage on the left side
	GAV1P		2400 94 4/8"	1600 62 8/8"	1160 750 45 5/8" 29 4/8"	904 kg 2.306 m3 6 pcs	
Conference tables with electric height adjustment							
	GAV5		2400 94 4/8"	1200 47 2/8"	1160 750 45 5/8" 29 4/8"	511 kg 2.092 m3 7 pcs	
Conference table							
	GAV7		2400 94 4/8"	1200 47 2/8"	750 29 4/8"	552.5 kg 1.325 m3 5 pcs	
Table							
	GAV6		1200 47 2/8"	500 19 5/8"	350 13 6/8"	60 kg 0.21 m3 1 pcs	
	GAV19		800 31 4/8"	800 31 4/8"	734 28 7/8"	54 kg 0.109 m3 3 pcs	

Extra charge							
Mediabox M06	Bluetooth module	Mediabox M06H					
1220,-	148,-	1320,-					
1220,-	148,-	1320,-					
1220,-	148,-	1320,-					
1220,-		1320,-					

Multimedia stand with electric height adjustment							
	Symbol	Price USD	Dimensions			kg m3 pcs	Comments
			Width	Depth	Height		
	GAV10		2400 94 4/8"	1350 53 1/8"	1160 750 45 5/8" 29 4/8"	824.94 kg 2.041 m3 7 pcs	
Storages							
	GAV15		800 31 4/8"	450 17 6/8"	920 36 2/8"	135 kg 0.331 m3 1 pcs	drawers
	GAV16		800 31 4/8"	450 17 6/8"	920 36 2/8"	103 kg 0.331 m3 1 pcs	bookcase
	GAV17		800 31 4/8"	450 17 6/8"	920 36 2/8"	30 kg 0.331 m3 1 pcs	
	GAV18		600 23 5/8"	450 17 6/8"	1824 71 6/8"	50 kg 0.492 m3 1 pcs	
Accessories							
	M06		245 9 5/8"	80 3 1/8"	50 1 8/8"	1 kg 0.006 m3 1 pcs	2x230V+USB charger, colour: black
	M06H		245 9 5/8"	80 3 1/8"	50 1 8/8"	1 kg 0.006 m3 1 pcs	2x230V+HDMI+USB, colour: black

Extra charge							
Bluetooth module							
148,-							






MFC

 08 - black	 31 - canadian oak	 67 - white pastel	 106 - lowland walnut	 154 - anthracite	 167 - grey oak	 168 - natural oak	 169 - honey oak
 170 - acacia	 171 - dark walnut	 172 - amber oak	 173 - robinia				



Veneer

 156 - elm	 157 - american walnut	 181 - natural oak	 182 - black oak	 191 - copper oak
--	--	--	---	---





Metal

 M009 - aluminium semi-matt RAL 9006	 M015 - white semi-matt RAL 9010	 M154 - anthracite semi-matt RAL 7043	 154 - anthracite	 Stainless steel INOX
---	---	--	--	---

Glass

 116 - glass black - RAL 9005	 117 - glass white - RAL 9003
--	--

HPL

 73 - white high gloss	 101 - black high gloss	 155 - anthracite high gloss	 158 - Graphite RAL 9004	 183 - FENIX - black matte
--	---	--	---	--